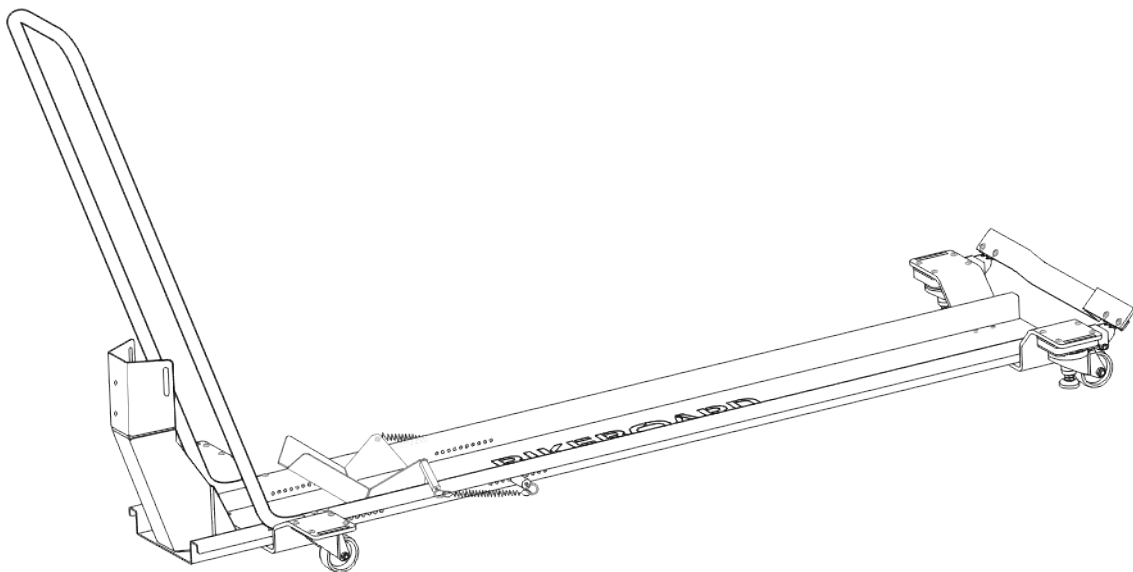
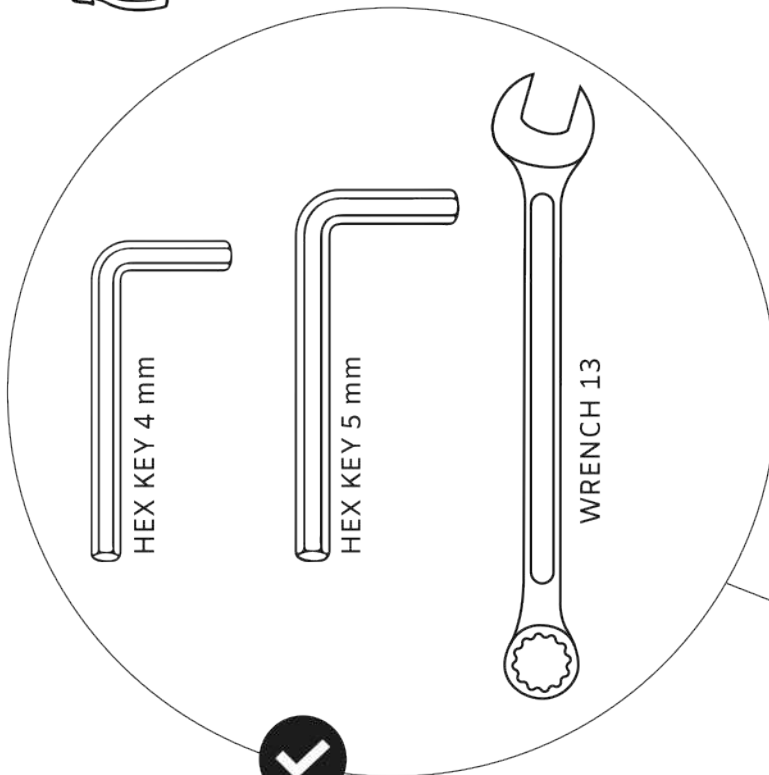
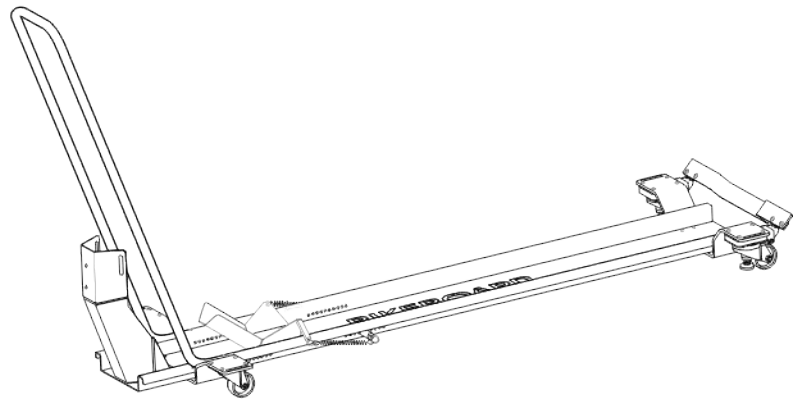


REALLY,  
READ  
THIS

# BIKEBOARD

ASSEMBLY INSTRUCTIONS





HEX KEY 4 mm

HEX KEY 5 mm

WRENCH 13



**INCLUDED**

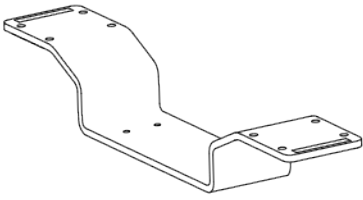


**RECOMMENDED FOR  
EASIER INSTALLATION  
(NOT INCLUDED)**

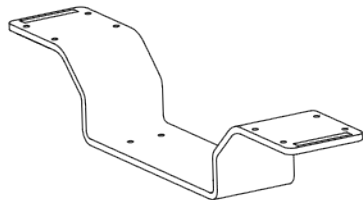


**We know that reading the safety guidelines is not much fun, so we've tried to make them as concise as possible for you in the following ten commandments (like 10 points).**

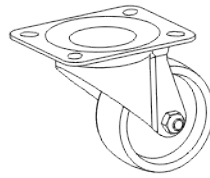
- ① Not all situations and circumstances can be addressed in these instructions, so use common sense and normal safety precautions in addition to tools when assembling and then using your BIKEBOARD.
- ② Your BIKEBOARD, although it may look like a skateboard to some, is really only for parking and moving a motorcycle in a garage. Don't lend it to kids to ride, and don't ride it with your dog or drunken buddy.
- ③ Pay proper attention to the folding of the BIKEBOARD, as it will hold YOUR beloved motorcycle. Follow the instructions carefully and don't skip pages. Make sure you have tightened all the joints really well and check them at regular intervals. Nothing lasts forever like the love of a lady, and just like that, a bolt can loosen after a while.
- ④ Adjust the distance between the cradle and the front pocket according to the size of your bike's front wheel. There are plenty of holes, so play around with it a bit. Or ask a friend to hold your bike for you, it's better that way. And when your mate buys a BIKEBOARD, you'll be helping him in return.
- ⑤ The springs on the parking cradle are used to make it easier to pull out heavy motorcycles. They do not need to be installed on lighter motorcycles. The spring tension adjustment is individual. If you go to the gym you tension them less, if you work at the computer you put them one hole further and tension them more. If it's beyond your power to get them as tight as you'd like, get your gym buddy to help you.
- ⑥ When using a BIKEBOARD with springs installed, **always use 1st gear when parking the bike**, this is to prevent the bike from jumping out of your front pocket when handling. If you are very worried about your treasure, you can secure it with the included clamping straps. You can either just grab the front wheel and pocket, you've got two holes for that, or you can grab the fork and then you've got two holes down the front chassis.
- ⑦ Don't ride the BIKEBOARD with the engine, you could get hurt, damage the rack and also damage the bike ... and I don't think anyone would want that :-)
- ⑧ When you use it for the first time, we recommend that you have someone assist you, like the friend who helped you with tensioning the springs. It takes a bit of practice. So if you don't get it parked the first time, don't worry, the second time, the third time, it'll work.
- ⑨ If you're going to handle the BIKEBOARD, wear sturdy shoes and don't wear flip flops. Firstly, you need to have balance and secondly, if you were to run over your foot with the hard wheel, it would really hurt a lot :-)
- ⑩ Even though it's plain as day, we have to say it here: Unique Ideas holds no responsibility for damages caused by improper or incorrect installation or use.



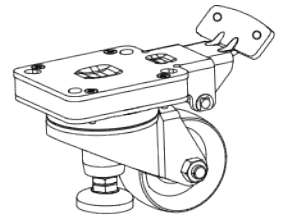
**A** 1x



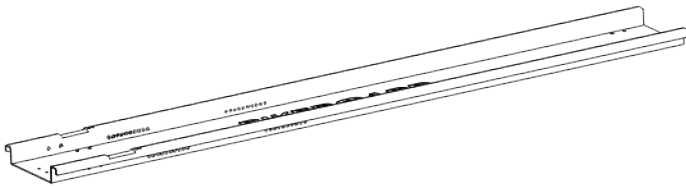
**B** 1x



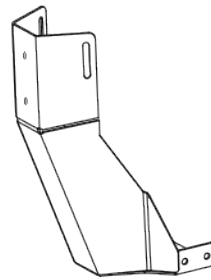
**C** 2x



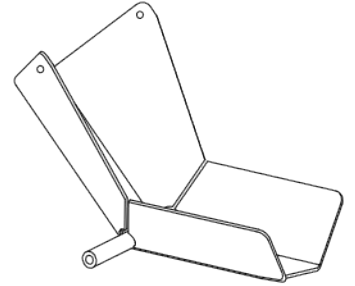
**D** 2x



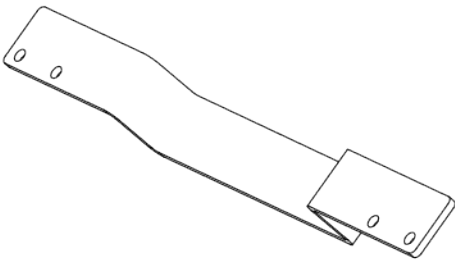
**E** 1x



**F** 1x



**G** 1x



**H** 1x



**I** 2x



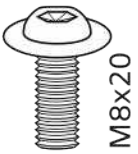
**J** 2x



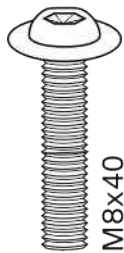
**K** 2x



**L** 10x



**M** 16x



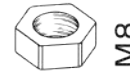
**N** 8x



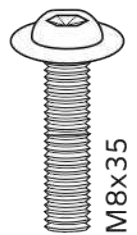
**O** 4x



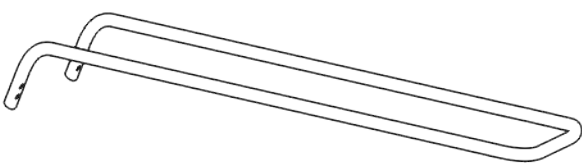
**P** 2x



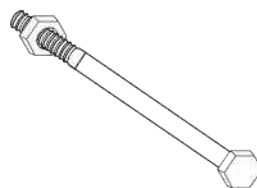
**Q** 24x



**U** 4x



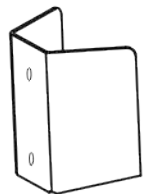
**R** 1x



**S** 1x

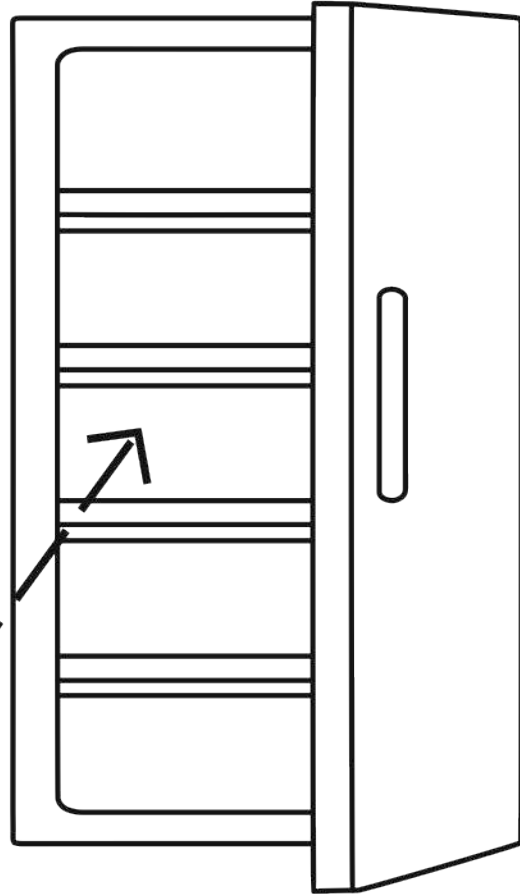


**T** 1x



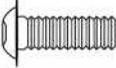



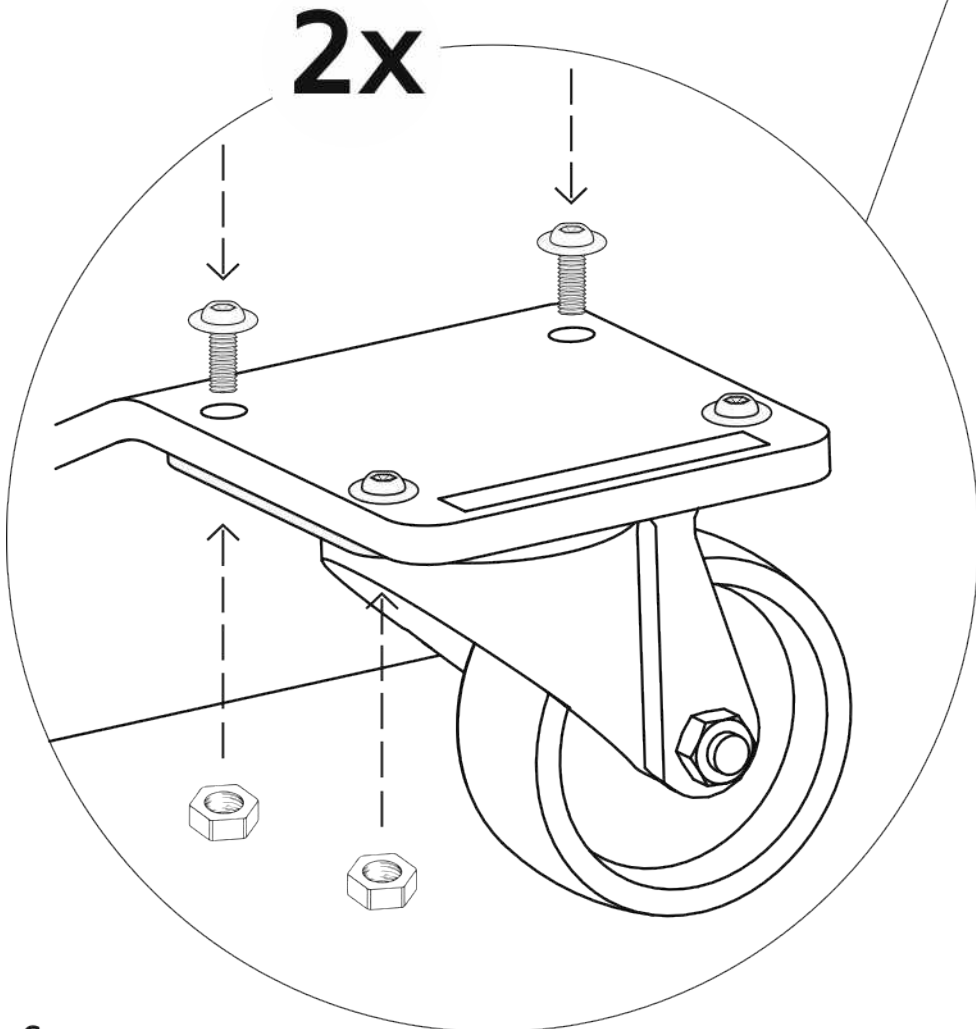
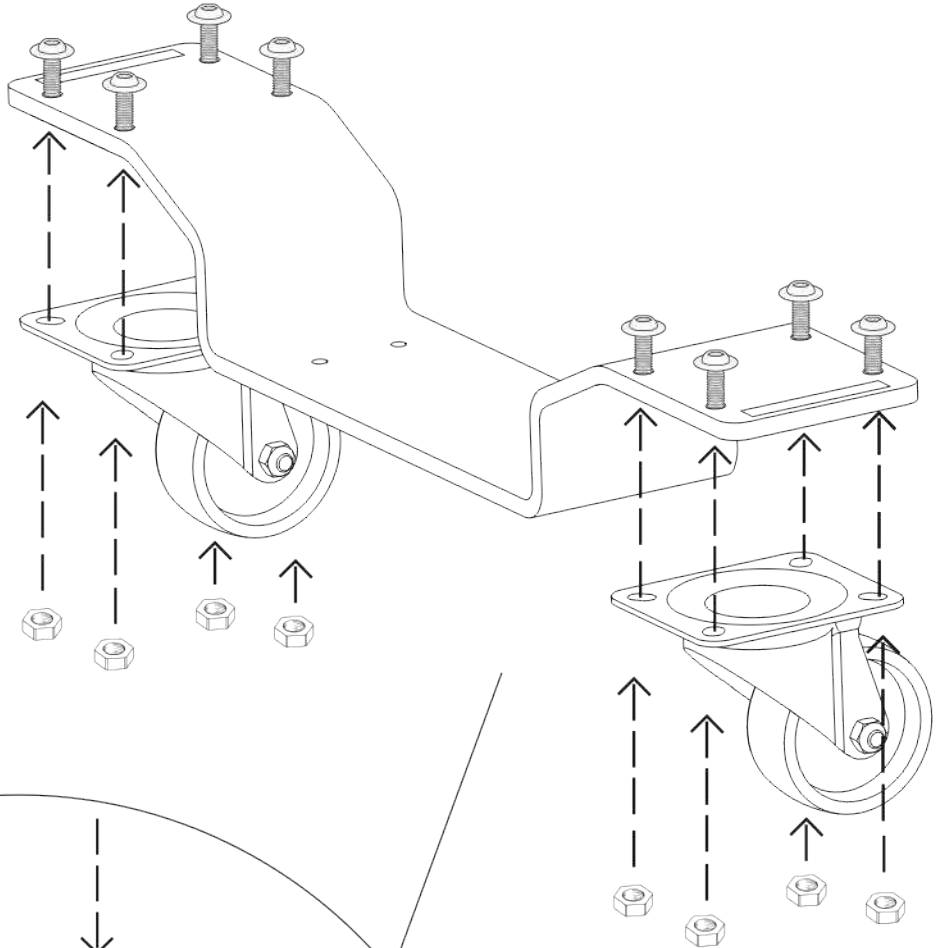
**V** 1x

# 1 BEER INTO THE FRIDGE

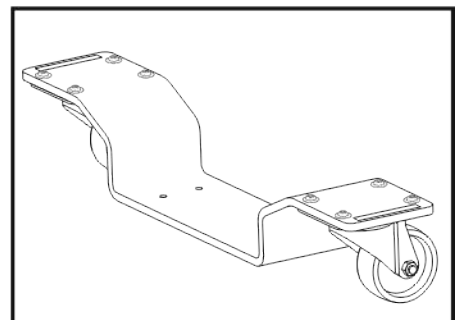


# 2 FRONT CASTER BRACKET



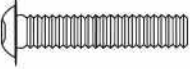

- A** 1x 
- C** 2x 
- M** 8x 
- Q** 8x 

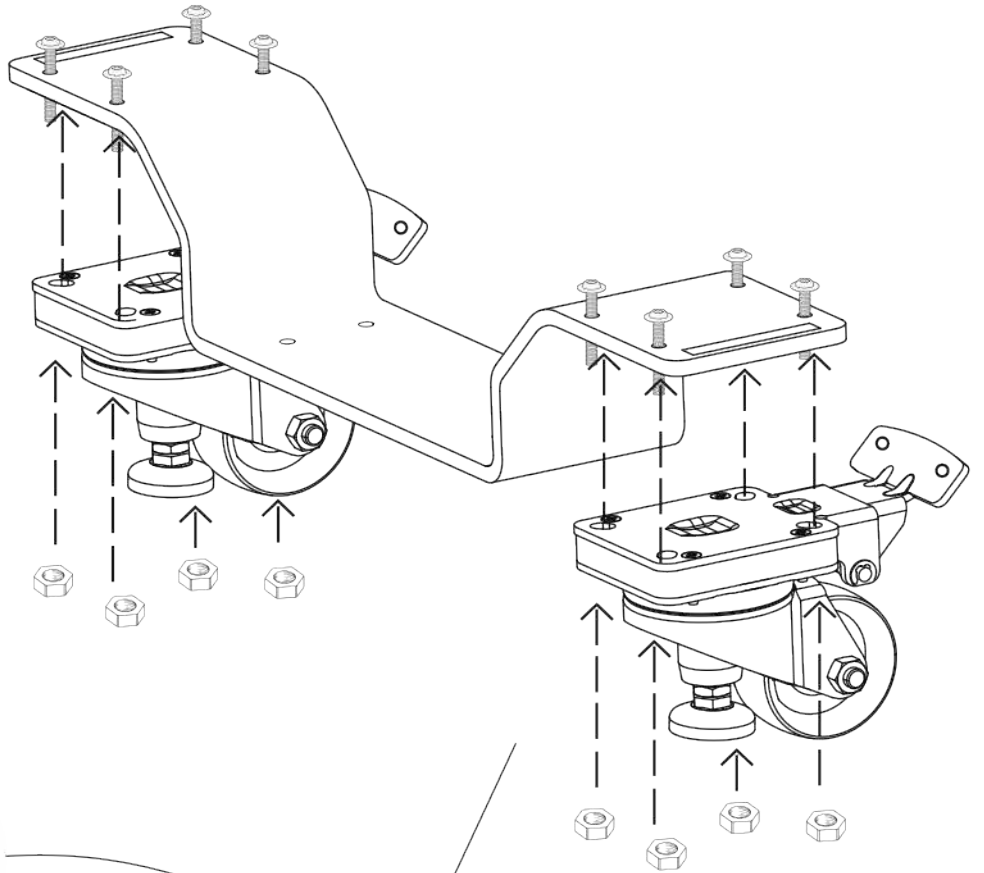


**FINISHED  
FRONT CASTER BRACKET**

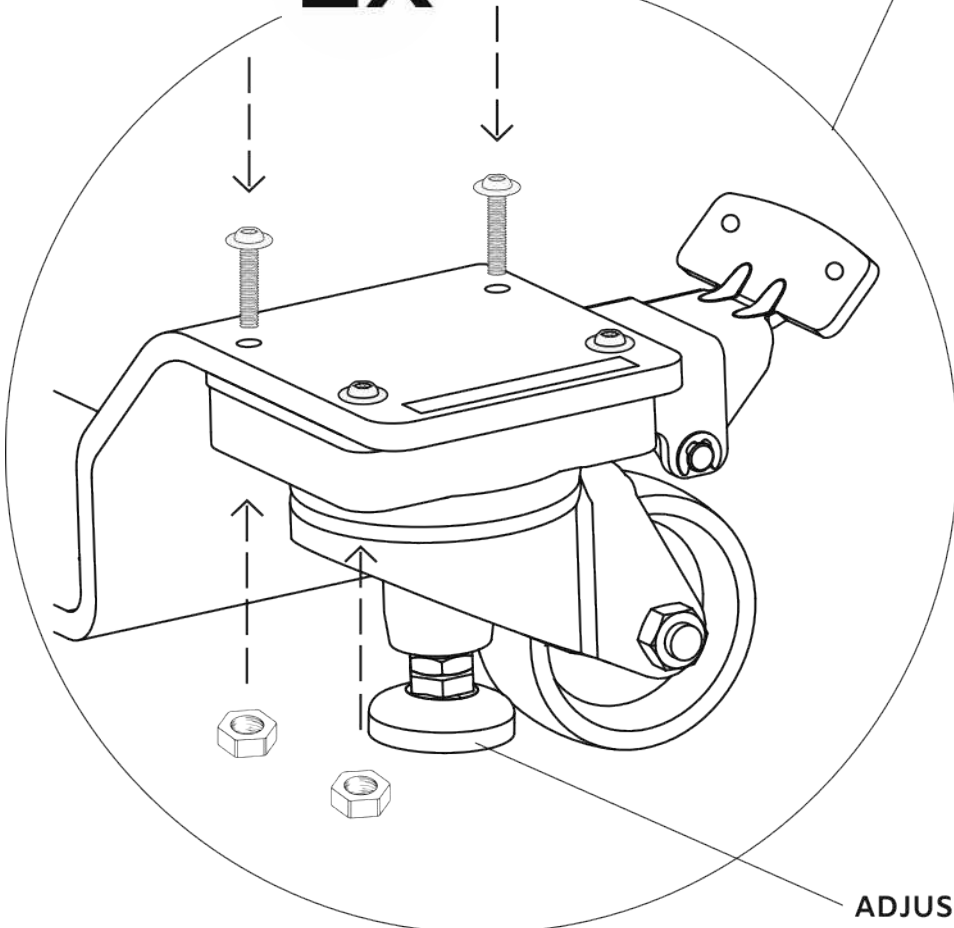


# 3 REAR CASTER BRACKET

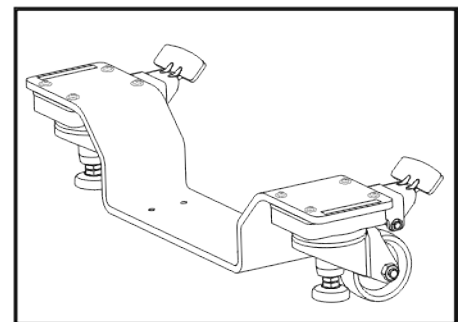
- B** 1x 
- D** 2x 
- N** 8x 
- Q** 8x 



**2x**

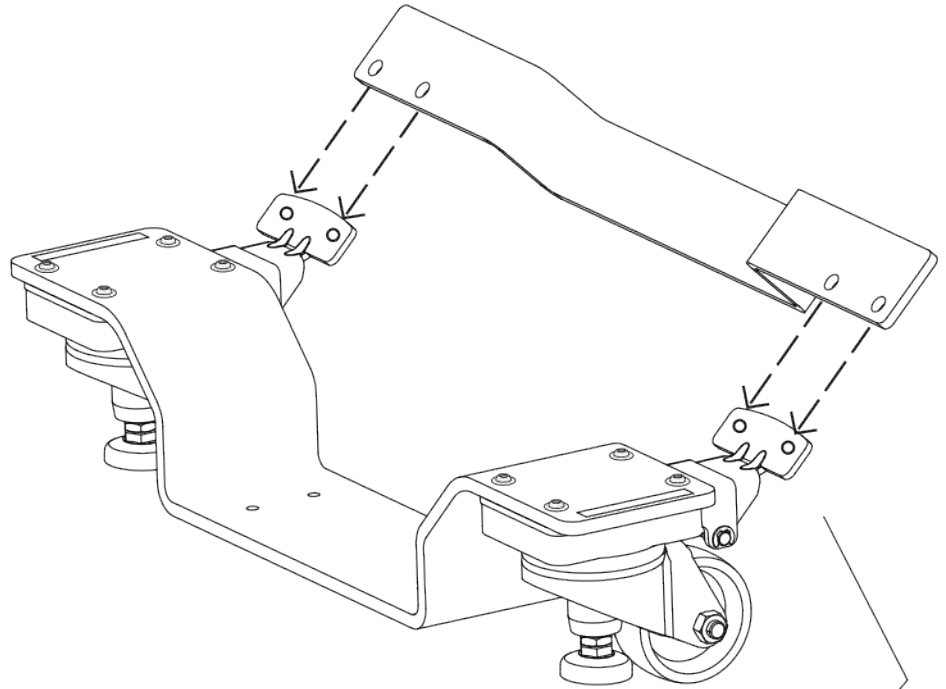
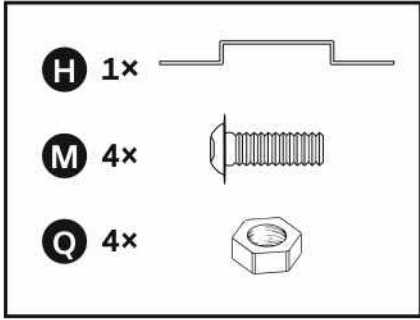


**FINISHED  
REAR CASTER BRACKET**

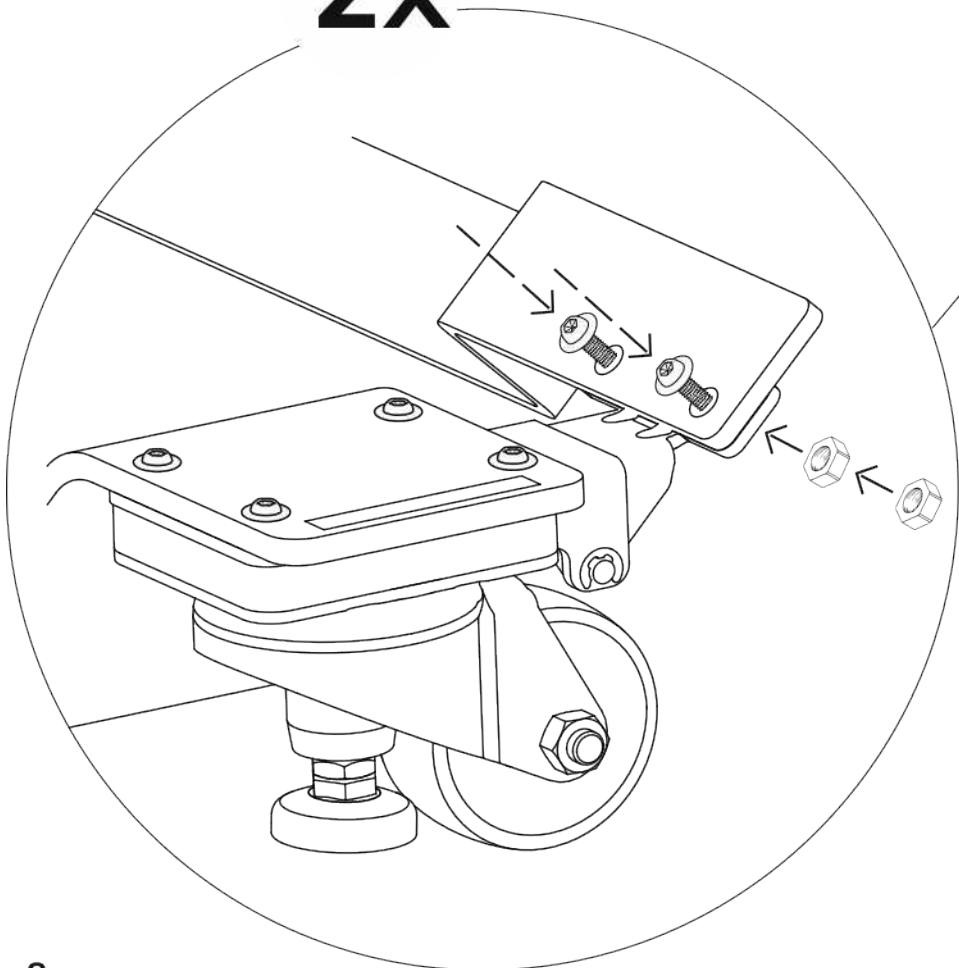


**ADJUSTABLE FOOT**

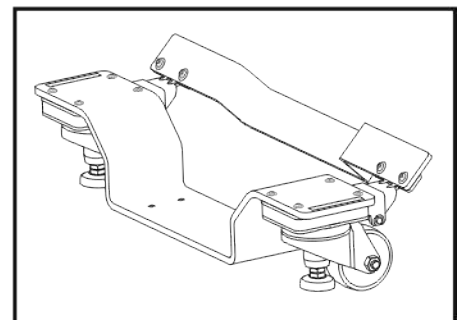
# 4 A BRAKE



2x



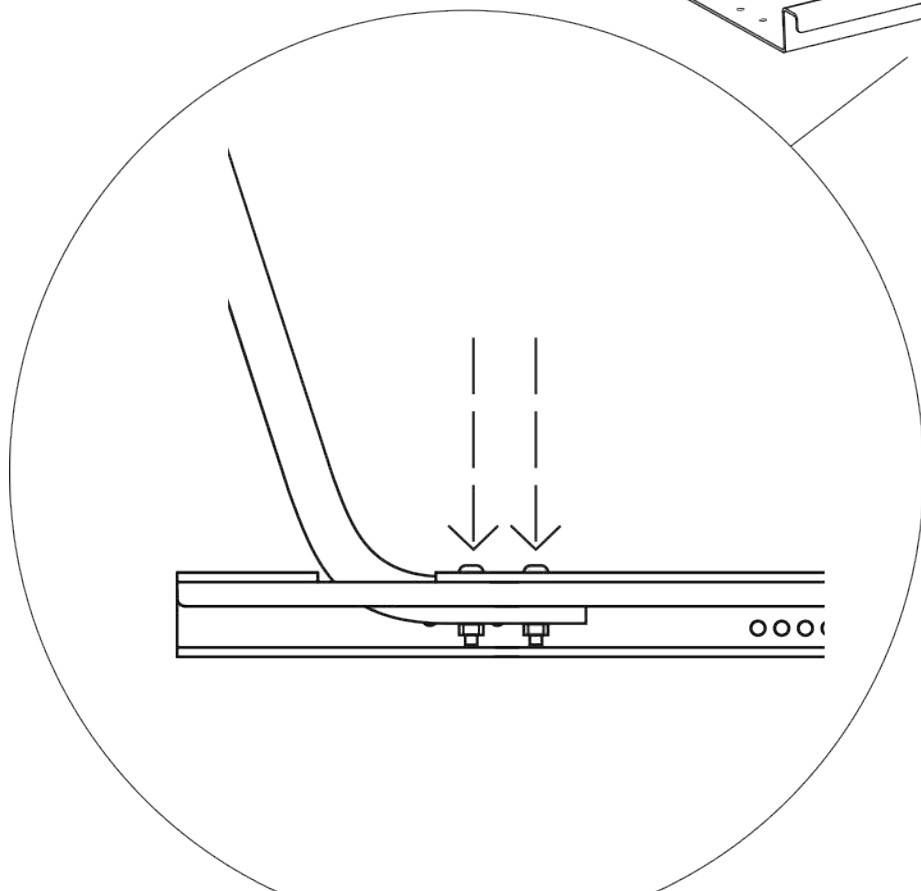
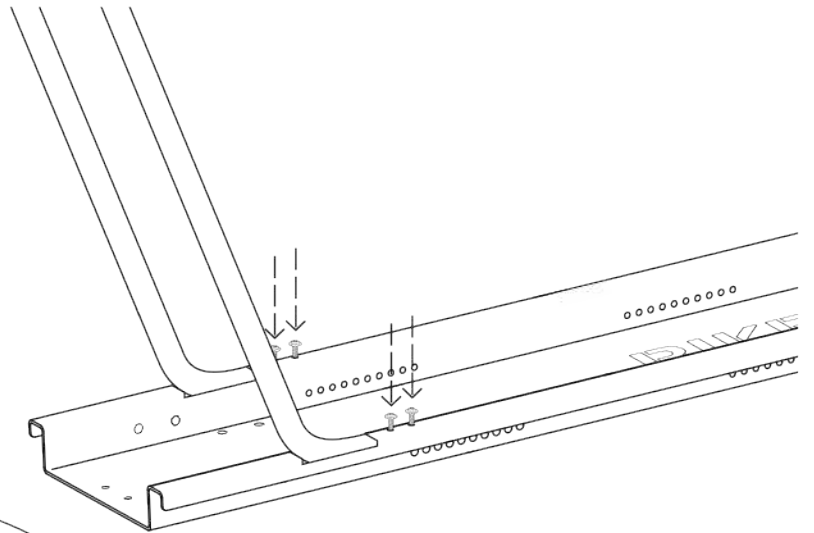
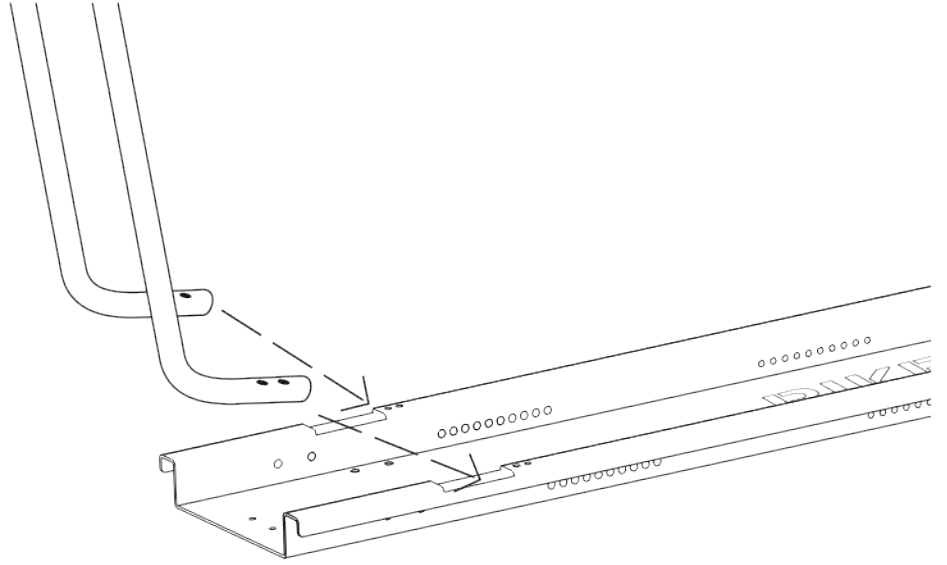
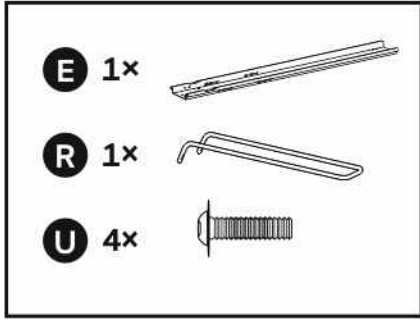
**FINISHED REAR CASTER BRACKET WITH A BRAKE**



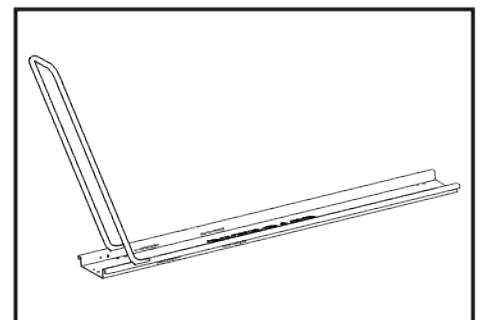


# 5

## HANDLEBAR ASSEMBLY

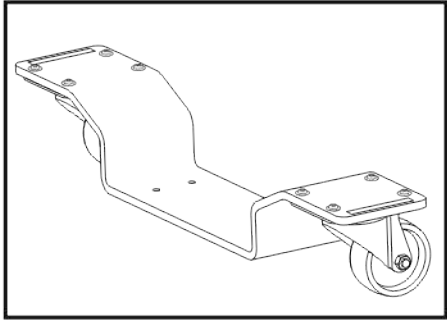
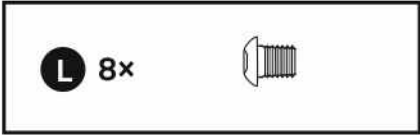


**BASE PLATE WITH HANDLEBAR**

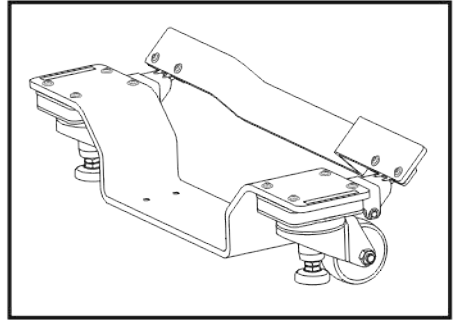


# 6

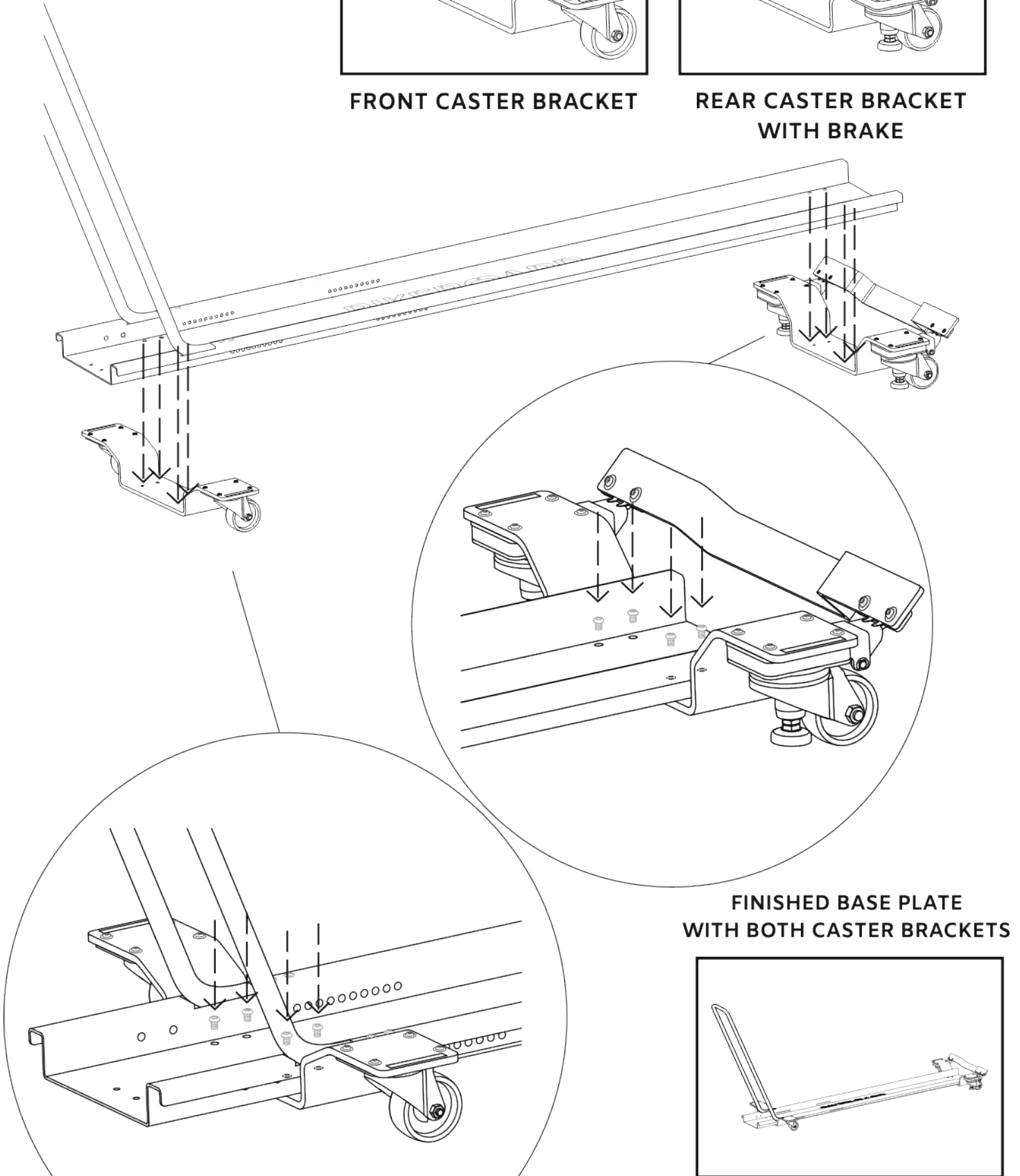
## CASTER BRACKETS ASSEMBLY TO THE BASE PLATE



FRONT CASTER BRACKET

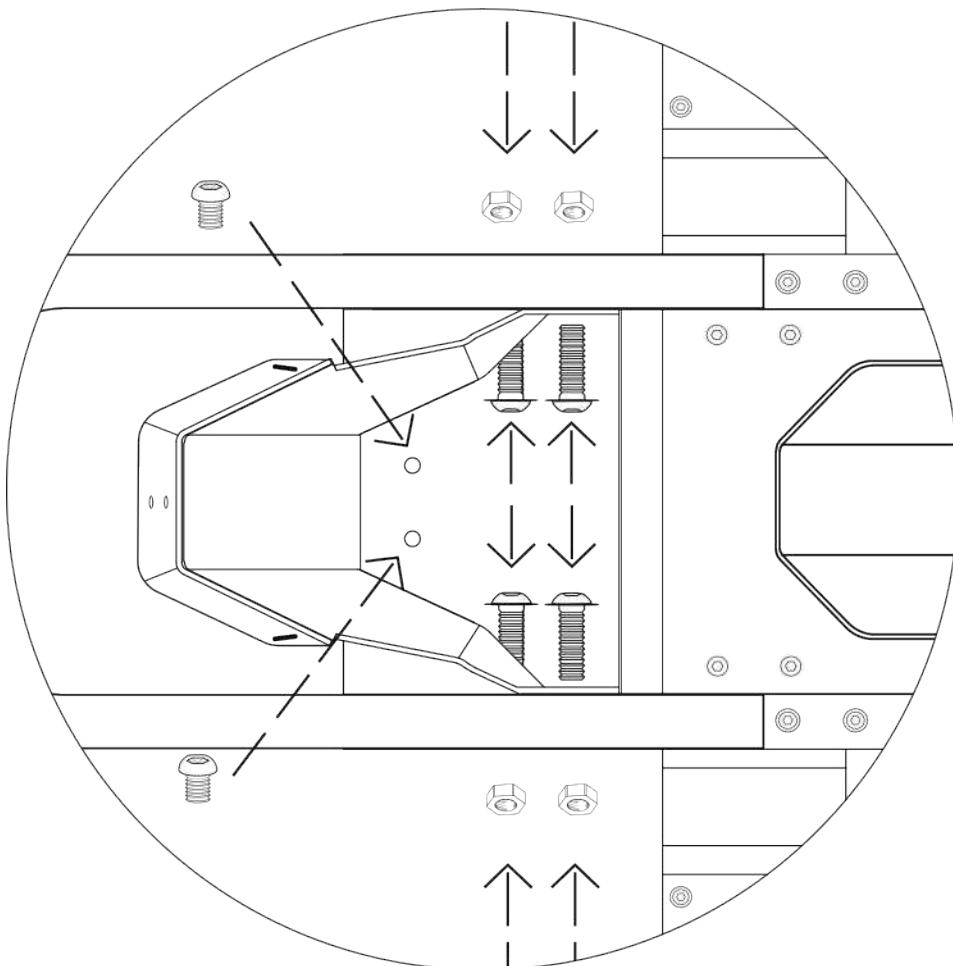
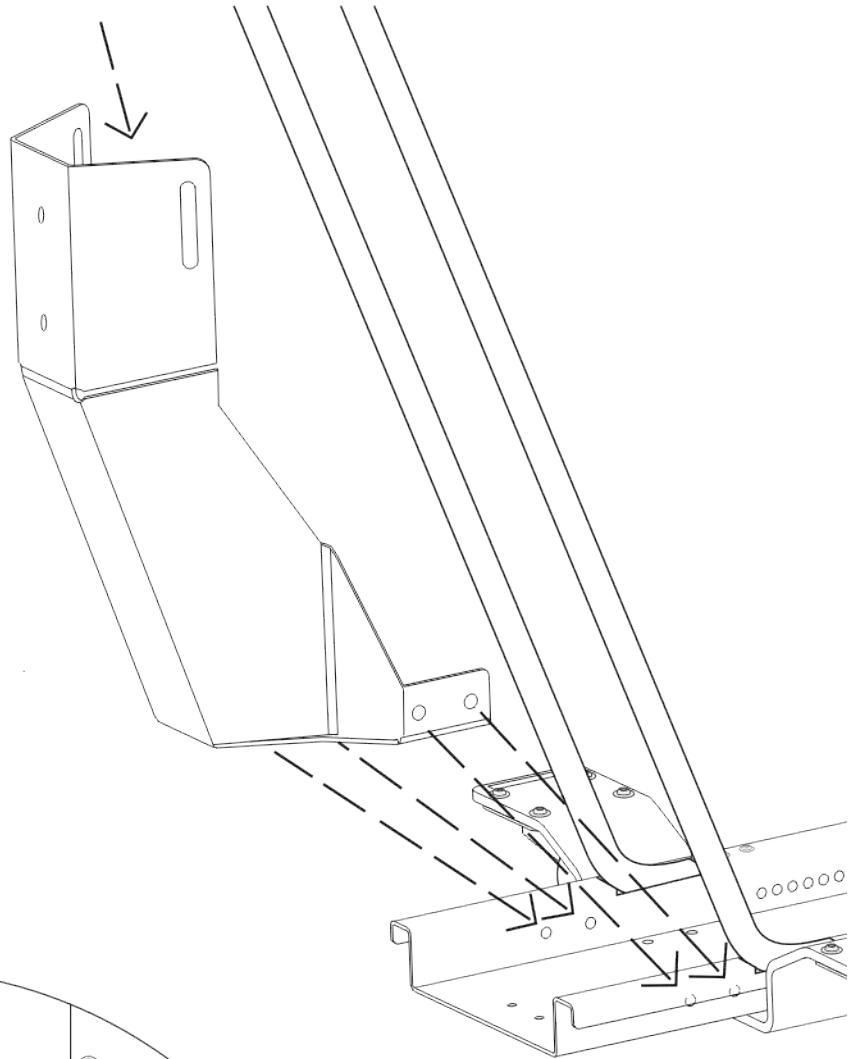
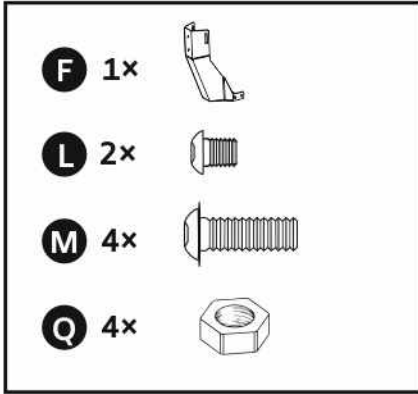


REAR CASTER BRACKET WITH BRAKE

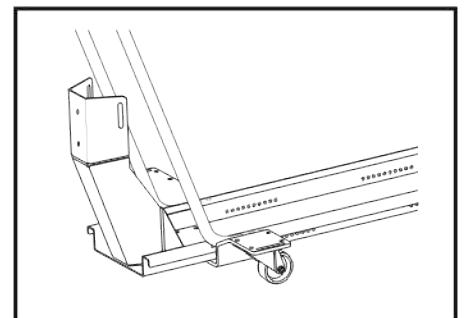


FINISHED BASE PLATE WITH BOTH CASTER BRACKETS



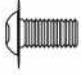
# 7 FRONT POCKET ASSEMBLY

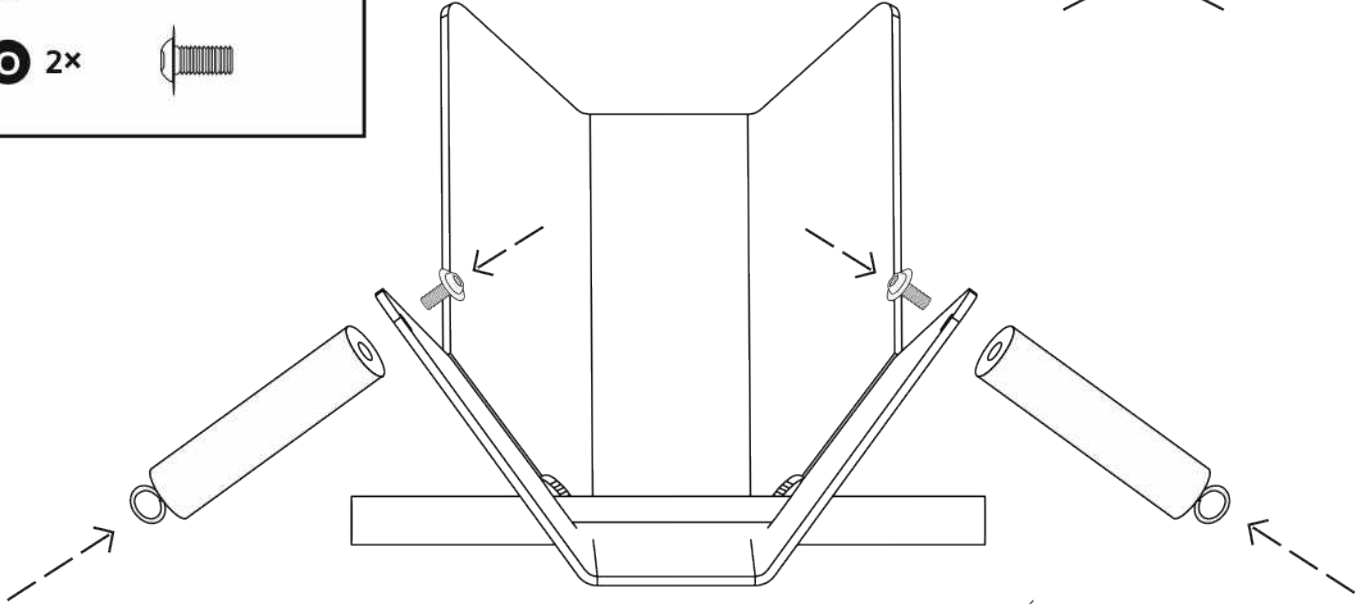
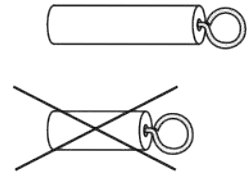


**ASSEMBLED  
FRONT POCKET**

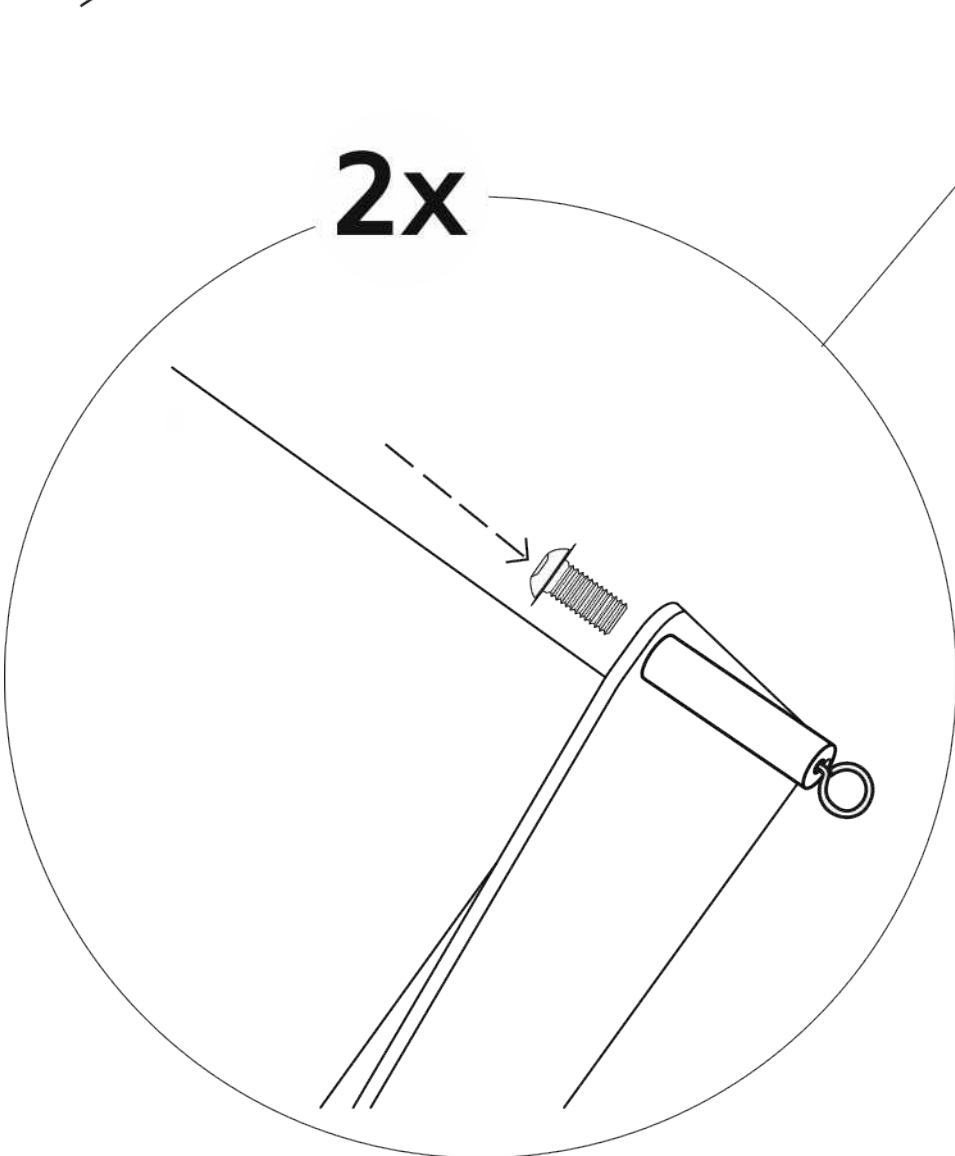


# 8 CRADLE ASSEMBLY

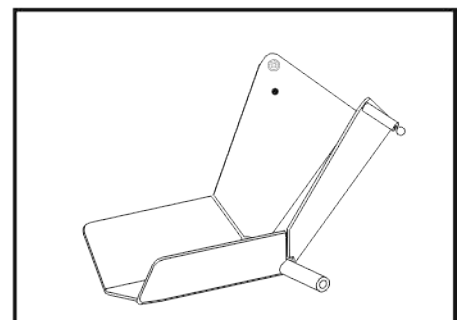
|             |   |
|-------------|---|
| <b>G</b> 1x |  |
| <b>J</b> 2x |  |
| <b>O</b> 2x |  |



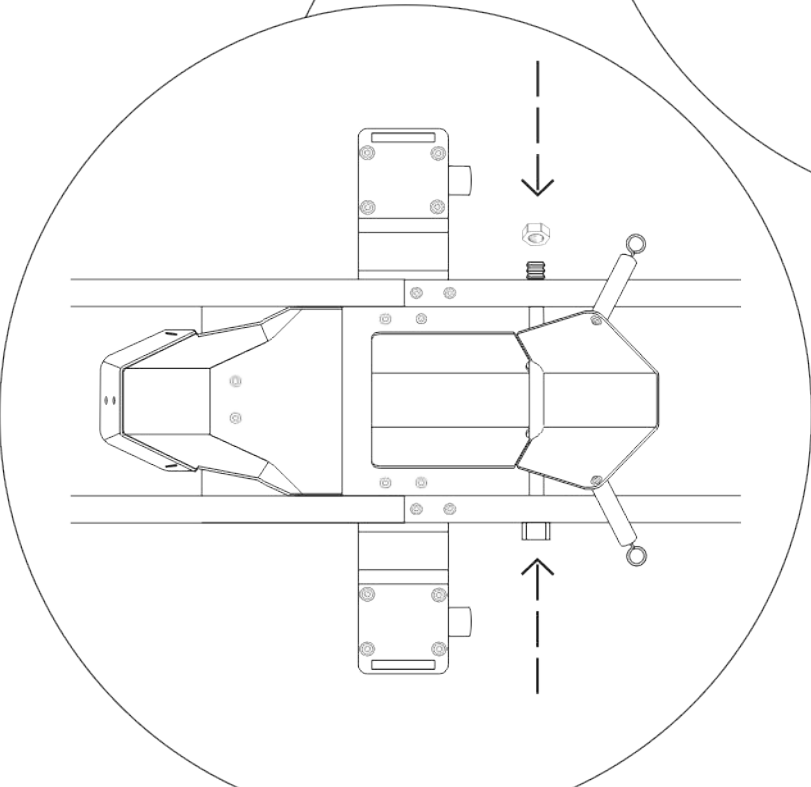
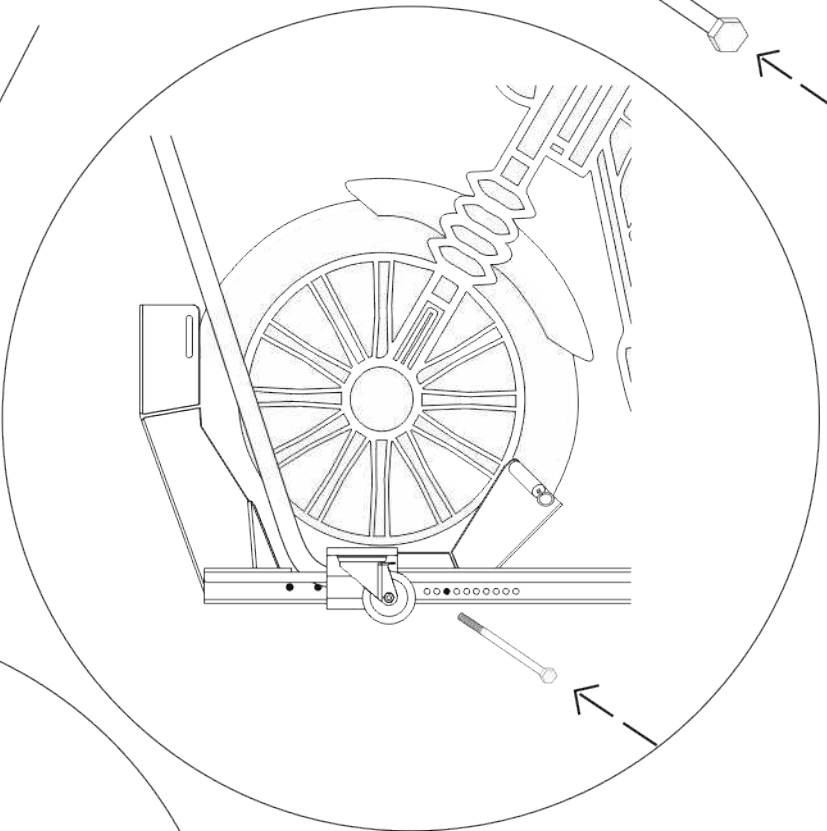
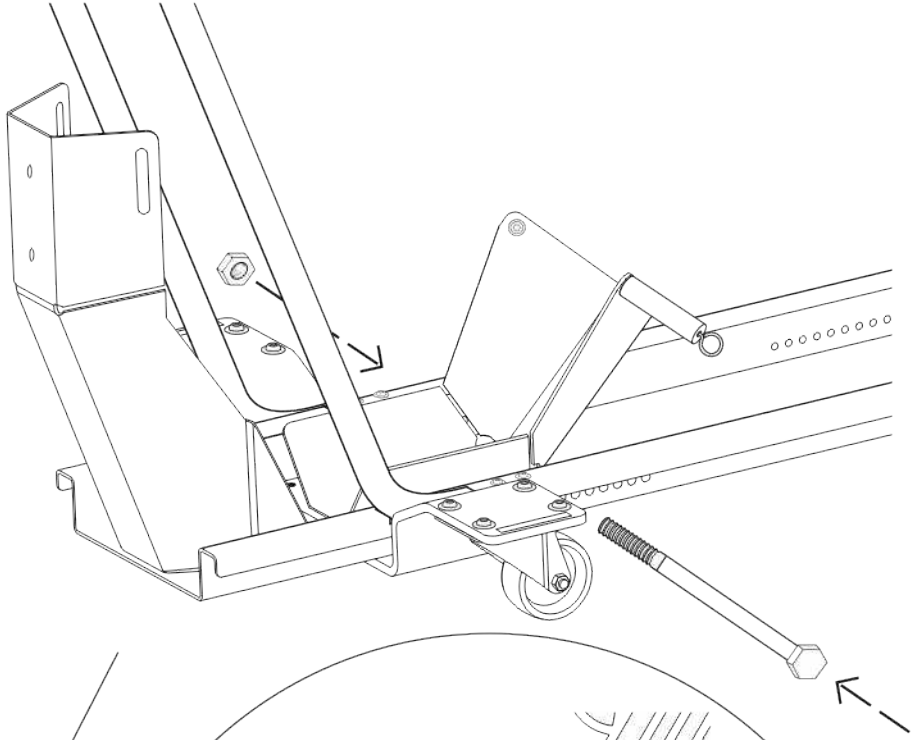
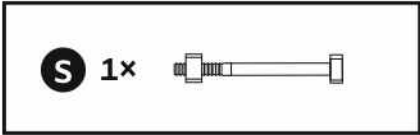
**2x**



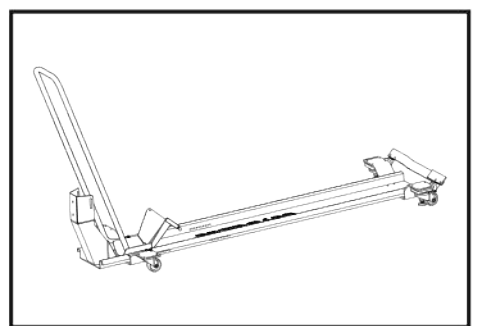
**FINISHED CRADLE WITH SPRING HOLDERS**



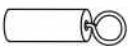
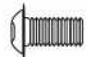


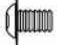
# 9 CRADLE ASSEMBLY WITH BASE PLATE

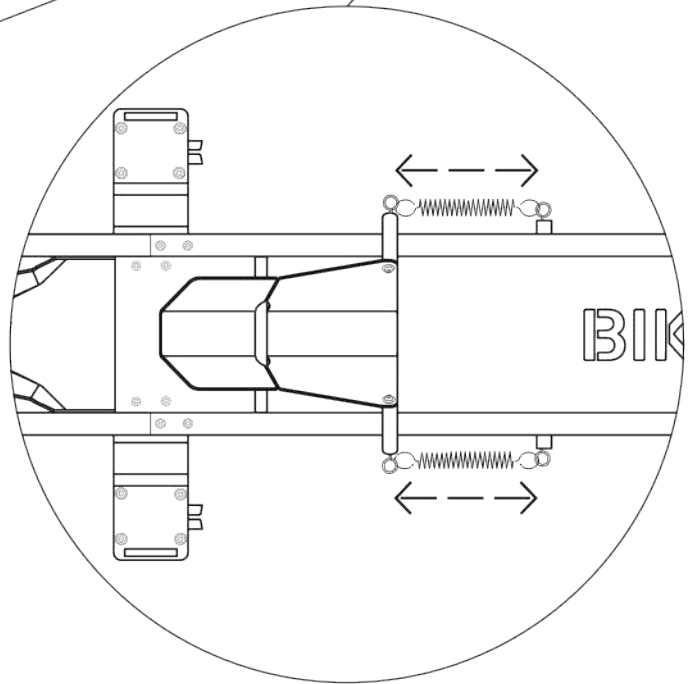
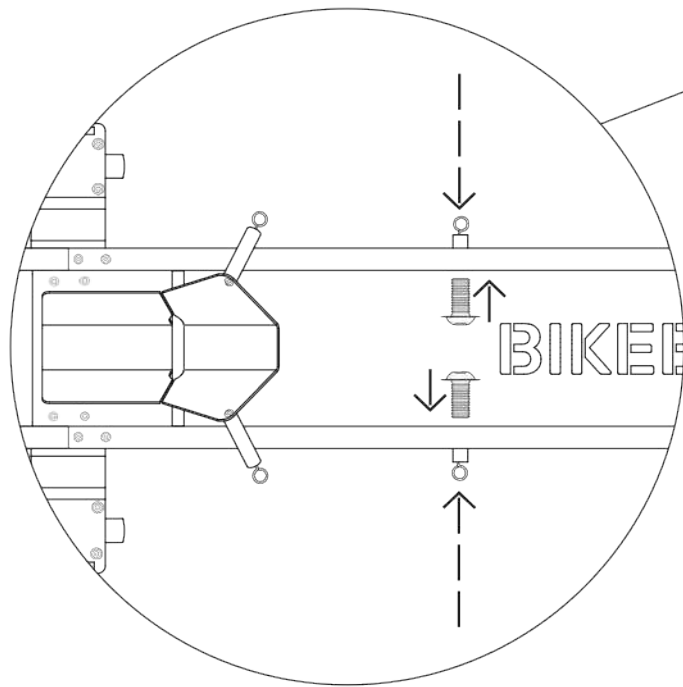
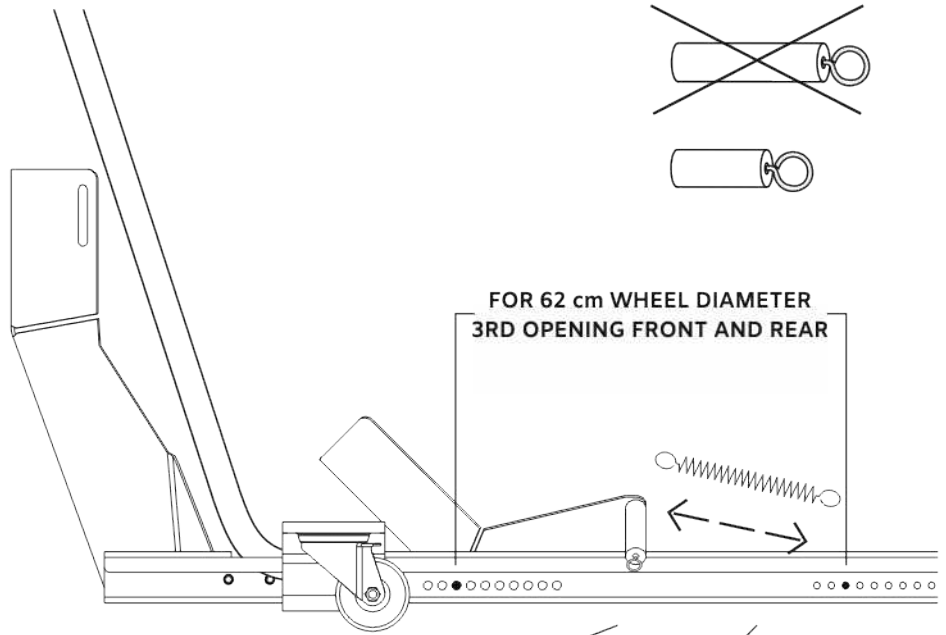


**ASSEMBLED CRADLE**

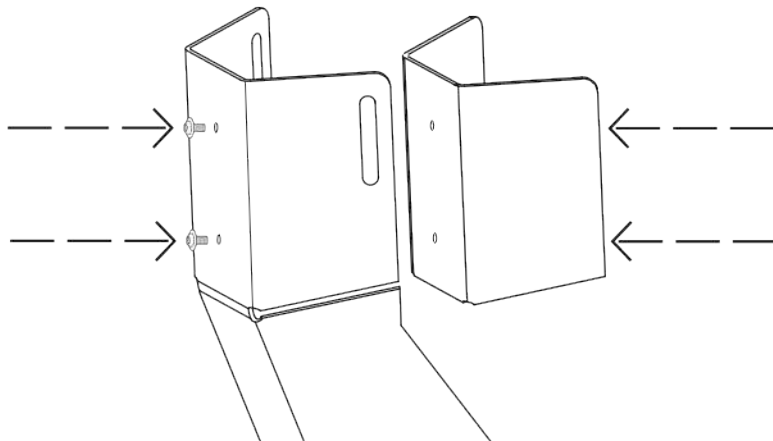


# 10 ATTACHING SPRINGS

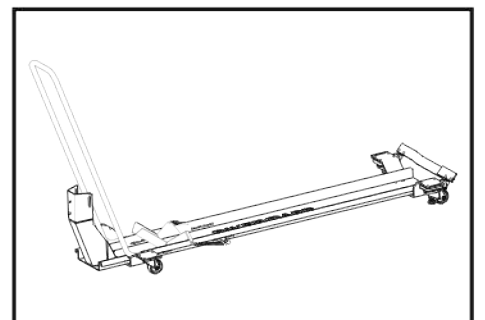
|                              |   |
|------------------------------|---|
| <b>K</b> 2x                  |  |
| <b>O</b> 2x                  |  |
| <b>I</b> 2x                  |  |
| <b>OPTIONAL ACCESSORIES*</b> |   |
| <b>V</b> 1x                  |  |
| <b>P</b> 2x                  |  |

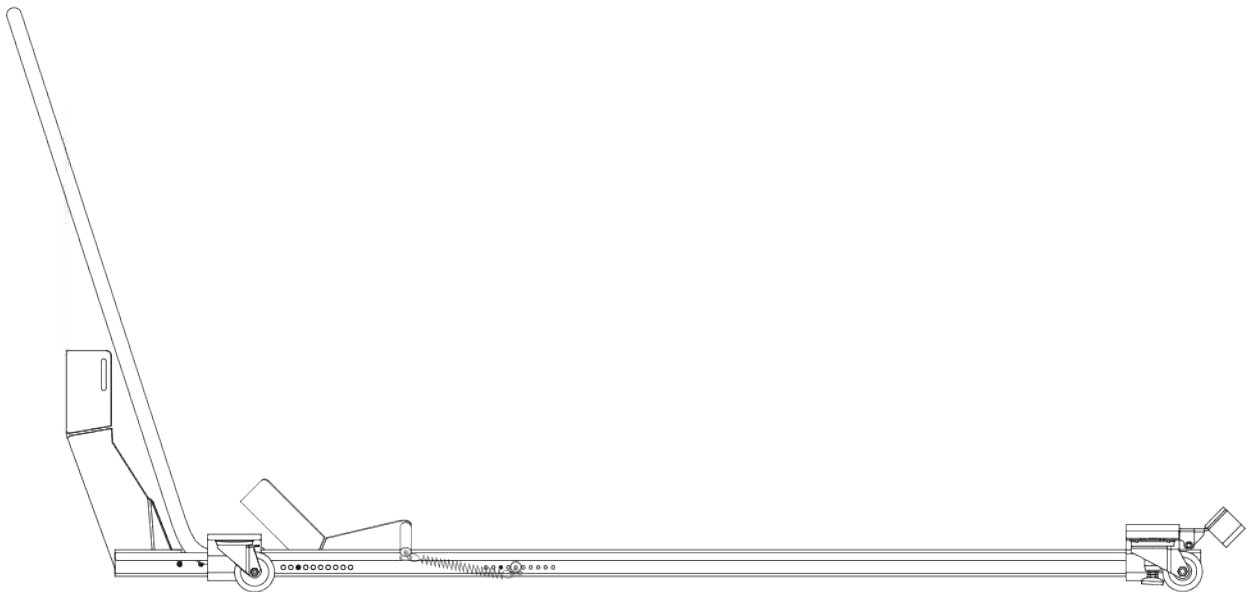
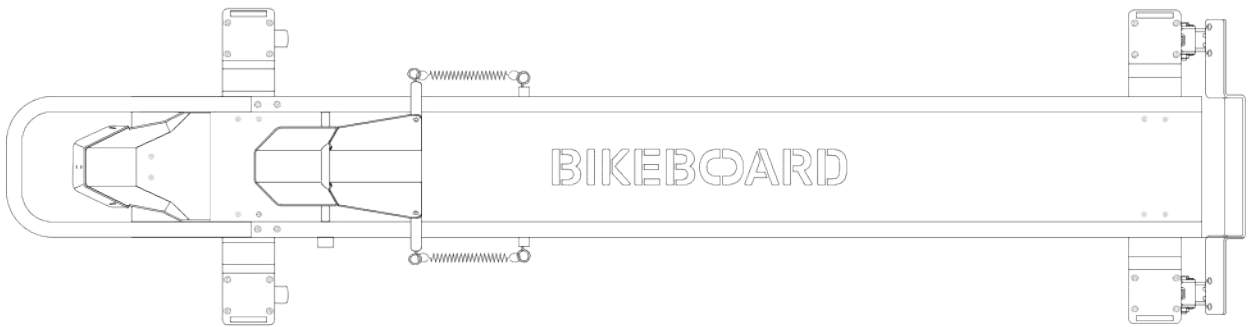
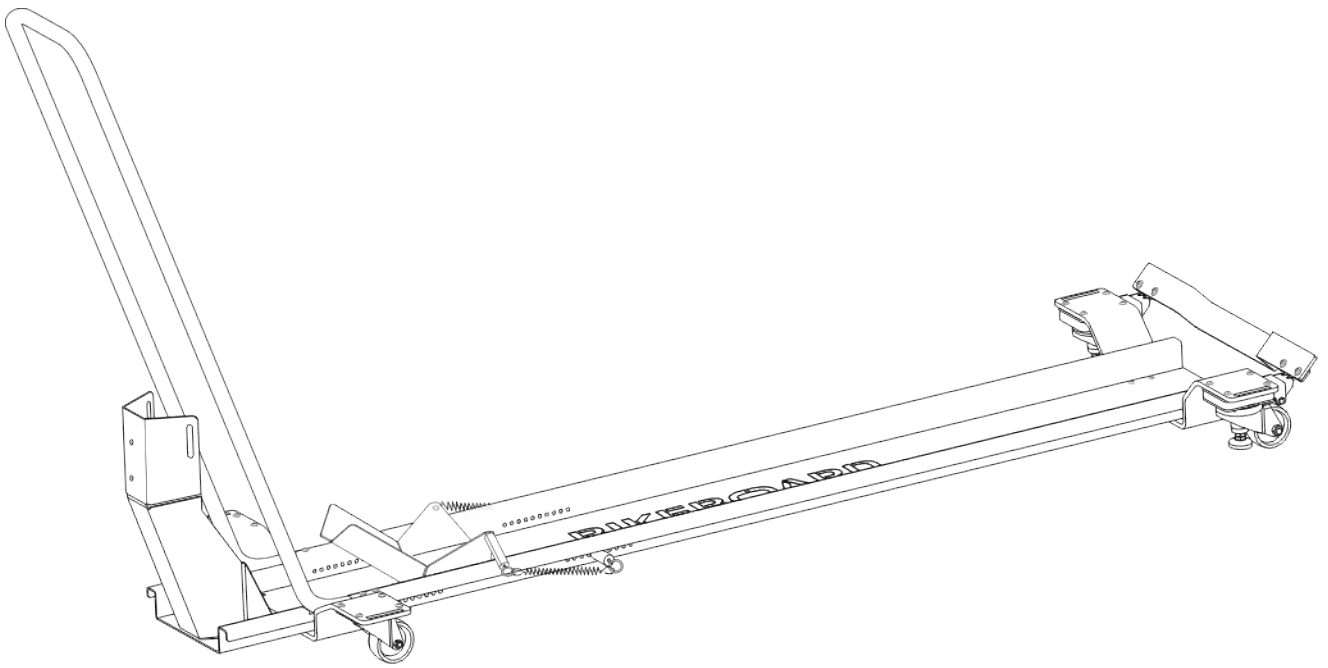


\*INSERT FOR NARROW TIRE TYPES



COMPLETELY FINISHED STAND





# 11

## ENJOY YOUR BEER

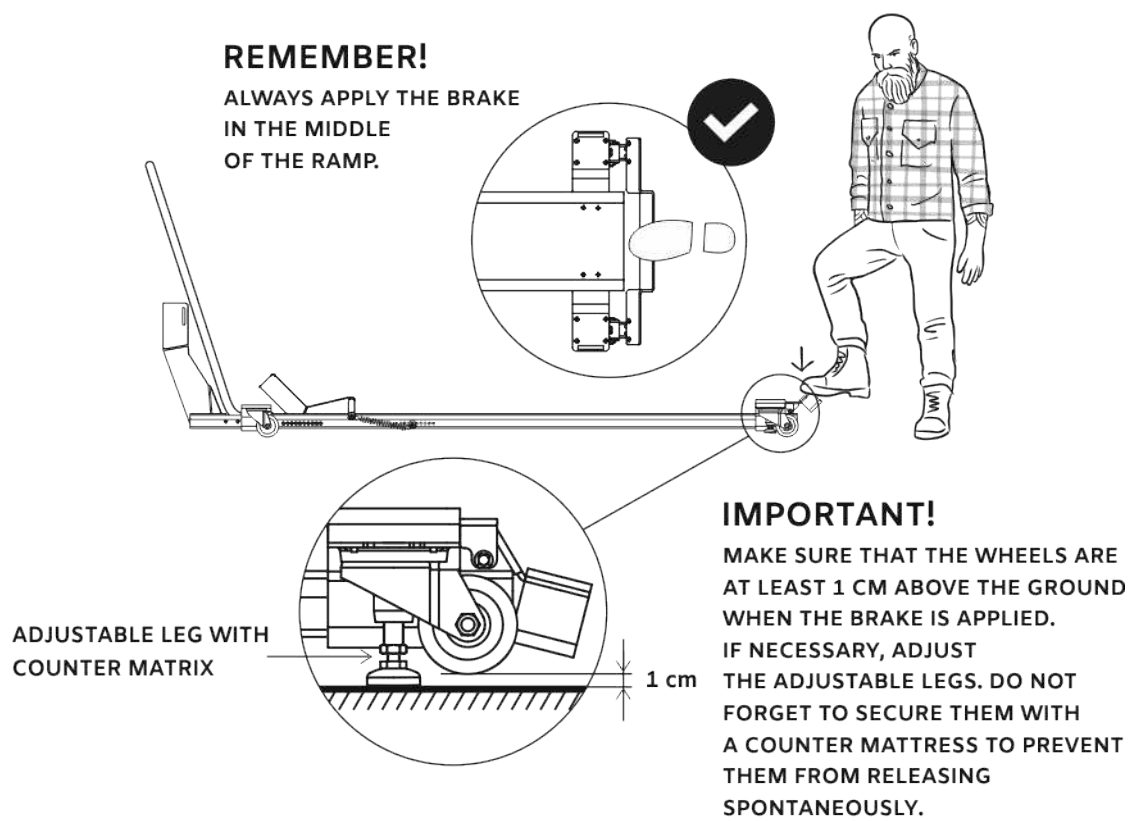




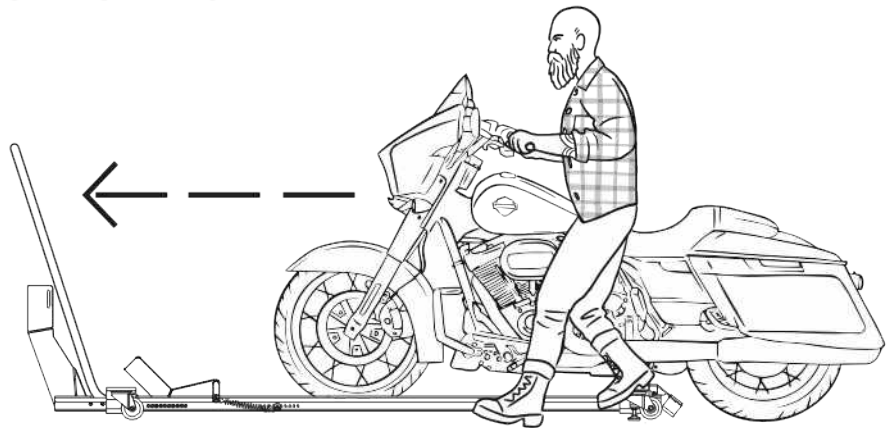
# **BIKEBOARD**

**BRIEF INSTRUCTIONS FOR USE**

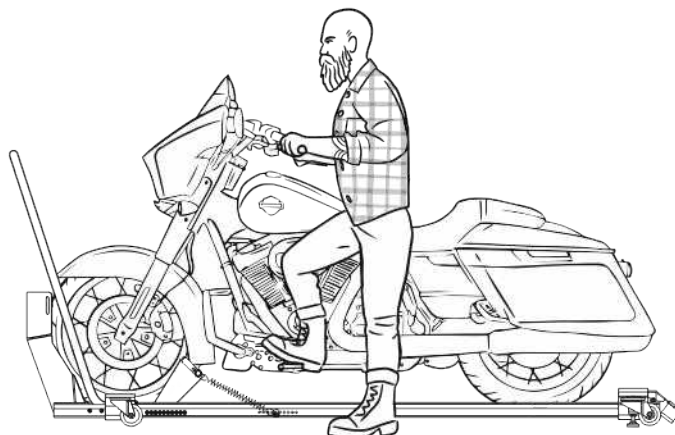
## 1. PLACE THE STAND IN THE DESIRED POSITION AND APPLY THE BRAKE



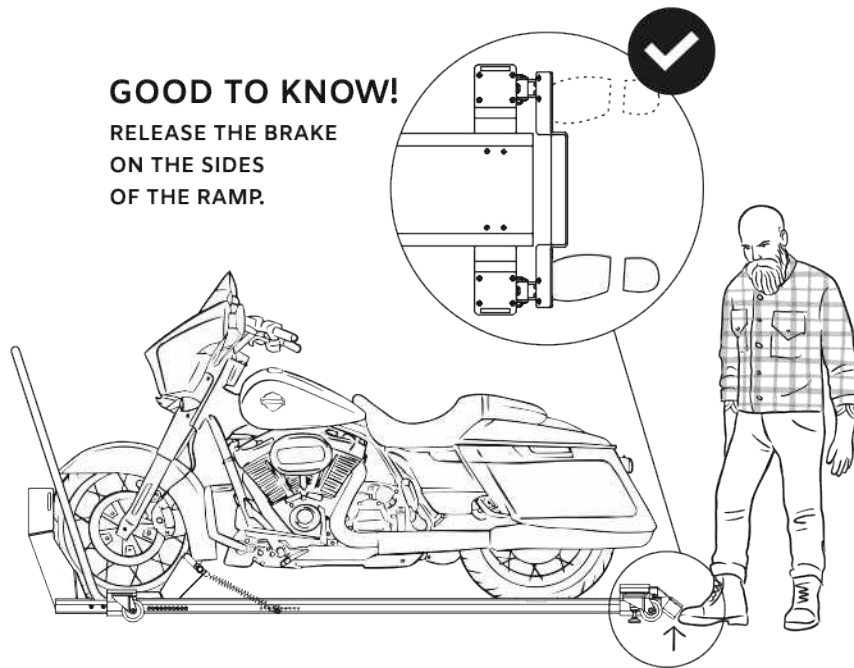
## 2. RIDE THE MOTORCYCLE TO THE STAND



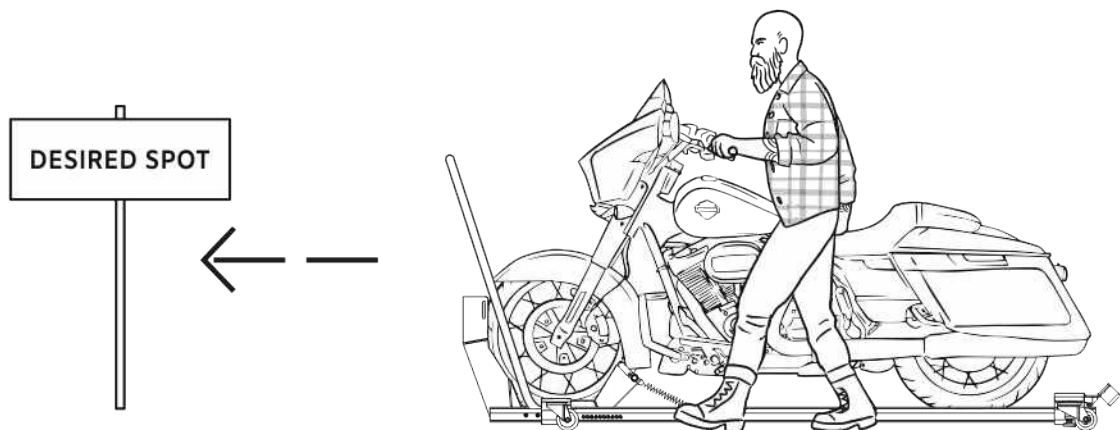
## 3. SHIFT INTO 1ST GEAR



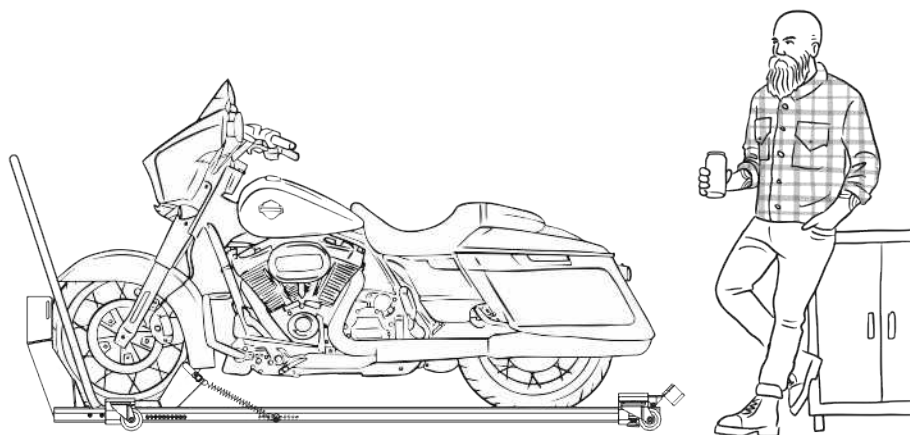
#### 4. PULL UP



#### 5. PLACE THE MOTORCYCLE WITH THE STAND IN THE DESIRED SPOT



#### 6. ENJOY YOUR NEW BIKEBOARD





MADE BY UNIQUE IDEAS IN OLOMOUC | CZECH REPUBLIC | EUROPE